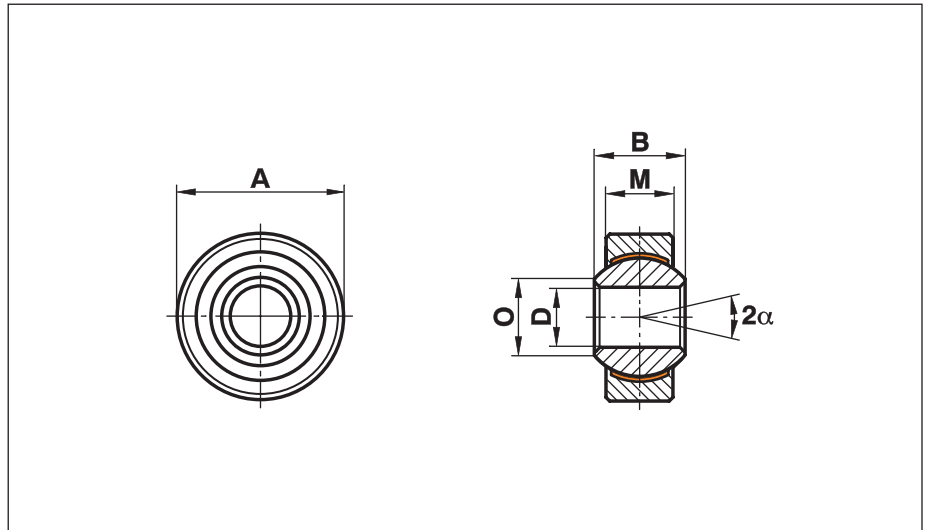


Spherical Plain Bearings Motor Sport Maintenance Free

Series GXOW..MS

Spherical Plain Bearings with larger outside \varnothing , Insert from extra heavy-duty steel, zinc plated with PTFE-liner, maintenance free. Preloaded bearing

For use at highest dynamic pressure and tension loads



Description	DH7	B	M	A h6	O	static radial load C_0 kN	dynamic radial load C_0 kN	torque N/dm	α	weight g
GXOW 8.22 MS	8	12	9,00	22	10,4	27,8	20,8	4-12	14°	23
GXOW 10.26 MS	10	14	10,50	26	12,9	39,0	28,1	6-16	13°	38
GXOW 12.30 MS	12	16	12,00	30	15,4	53,5	38,4	10-22	13°	58
GXOW 14.34 MS	14	19	13,50	34	16,8	70,0	50,5	12-24	16°	83
GXOW 16.38 MS	16	21	15,00	38	19,3	88,0	63,0	14-28	15°	115
GXOW 18.42 MS	18	23	16,50	42	21,8	106,5	76,5	18-32	15°	150
GXOW 20.46 MS	20	25	18,00	46	24,3	130,0	93,5	20-34	14°	200

Materials:

Insert: Extra heavy-duty steel to 45S20, zinc plated

Ball: Bearing steel to 100Cr6, Aisi 52100, hardened, ground, polished, hard chrome plated on the running surface

Clearance: preloaded, zero tolerance

On request:
 - with threaded bolt
 - with V-Groove on both sides

V-Groove and caulking tool for mounting can be ordered from Fluro®.

